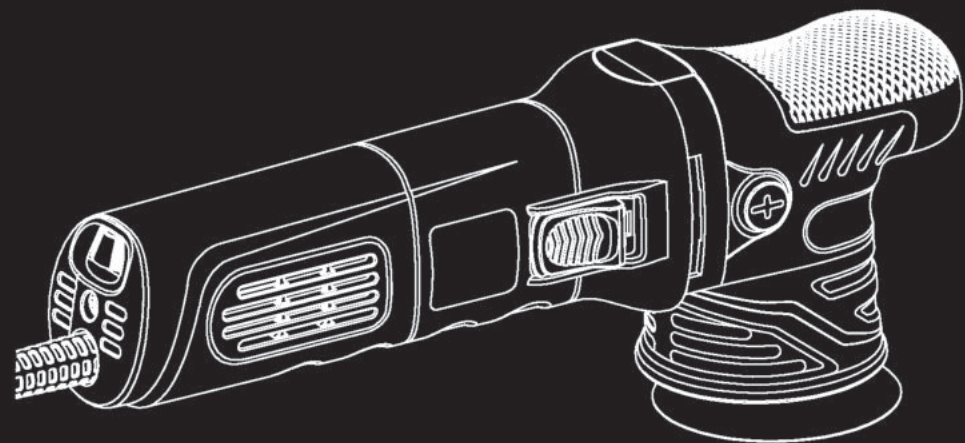



# VOLTT<sup>®</sup>

## VP101

### DUAL ACTION POLISHER



**User's Manual and Care Instructions For  
Long-Throw Orbitals**

 Please carefully read, understand, and follow all safety information in this manual prior to and during use of this tool. Keep these instructions handy for future reference.

As lifelong car lovers, we're always seeking tools for a flawless finish. That's why we design our own. VOLTT VP101 is the next generation of paint perfection from us. With a long-throw orbit it does, more work per revolution for faster, more effective correction, finishing, and sealing. Drawing on our heritage of high-performance tool design, every detail of VP101 is designed to maximize performance, control, and comfort. Enjoy perfection.

---

## IMPORTANT SAFETY INFORMATION



Please carefully read, understand, and follow all safety information in this manual prior to and during use of this tool. Keep these instructions handy for future reference.

### EXPLANATION OF SIGNAL WORD CONSEQUENCES



**WARNING:** Indicates a potentially hazardous situation which, if not avoided, may result in death or serious injury and/or property damage.



**CAUTION:** Indicates a potentially hazardous situation which, if not avoided, may result in minor or moderate injury and/or property damage.



"Class II"  
Construction



WARNING -  
Hazardous Voltage



Do Not Discard In  
Household Waste



Wear Proper Eye  
Protection



Wear Respiratory  
Protection



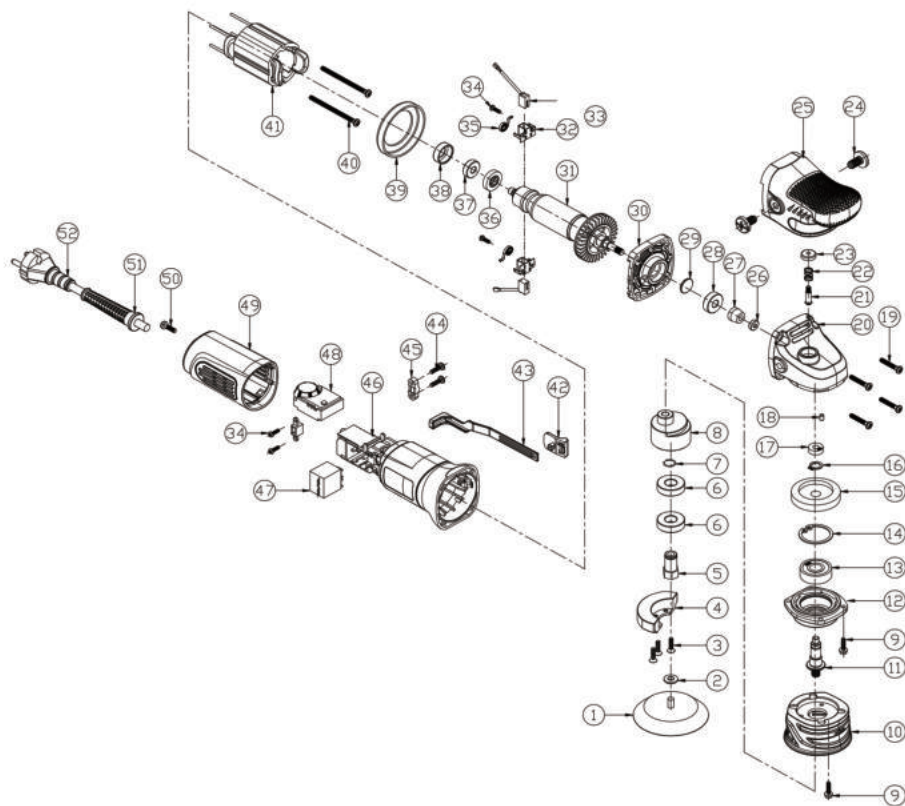
Wear Gloves



Read And Follow  
Use Instructions



Wear Proper  
Hearing Protection



## GENERAL POWER TOOL SAFETY WARNINGS

**⚠ Warning:** Read all safety warnings and instructions. Failure to follow the warnings and instructions may result in electric shock, fire, and/or other serious injury.

### 1. Work Area Safety

- Keep work area clean and well lit. Cluttered or dark areas invite accidents.
- Do not operate power tools in explosive atmospheres, such as in the presence of flammable liquids, gases, or dust. Power tools create sparks which may ignite the dust or fumes.
- Keep children and bystanders away while operating power tool. Distractions can cause you to lose control.

### 2. Electrical Safety

- The power tool's plug must match the outlet. Never modify the plug in any way. Proper, unmodified plugs and matching outlets will reduce risk of electric shock.
- Avoid body contact with earthed or grounded surfaces such as pipes, radiators, ranges, and refrigerators. There is an increased risk of electric shock if your body is earthed or grounded.
- Do not expose power tools to rain or wet conditions. Water entering a power tool will increase the risk of electric shock.
- Do not abuse the cord. Never use the cord for carrying, pulling, or unplugging the power tool. Keep cord away from heat, oil, sharp edges, or moving parts.
- When operating power tool outdoors, use an extension cord suitable for outdoor use.
- If operating power tool in a damp location is unavoidable, use a Ground Fault Circuit Interrupter (GFCI) protected power supply.

### 3. Personal Safety

- Stay alert, watch what you are doing, and use common sense when operating power tool. Do not use power tool while you are tired or under the influence of drugs, alcohol, or medication. A moment of inattention while operating power tool may result in serious personal injury.
- Use personal protective equipment. Always wear eye protection. Use of protective equipment such as a dust mask, gloves, or hearing protection under appropriate conditions will reduce personal injuries.
- Prevent unintentional starting. Ensure the switch is in the "Off" position before connecting to power source, picking up, or carrying the tool. Carrying power tools with your finger on the switch or energizing power tools that have the switch "On" invites accidents.
- Remove any adjusting key or wrench before turning the power tool on. A wrench or a key left attached to a rotating part of the tool may result in personal injury.
- Maintain a firm grip on the power tool and position your body and arm to allow you to resist kickback forces. For additional control, use available D-Handle,

sold separately. Maintain firm grip with two hands for maximum control over kickback or torque reaction during start-up. The operator can control torque reactions or kickback forces if necessary precautions are taken. Do not overreach. Keep proper footing and balance at all times. This enables better control of the power tool in unexpected situations.

- f) Do not wear loose clothing or jewelry. Keep hair, clothing, and gloves away from moving parts. Loose clothes, jewelry, or long hair can be caught in moving parts.

#### **4. Power Tool Usage Safety**

- a) This power tool is intended to function as a buffer/polisher. Do NOT perform operations such as grinding, sanding, wire brushing, or cutting-off with this power tool. Read all safety warnings, instructions, illustrations, and specifications provided with this power tool. Failure to follow all instructions may result in electric shock, fire, and/or serious injury.
- b) Do not use accessories which are not specifically designed and recommended by us. Just because the accessory can be attached to the power tool does not assure safe operation.
- c) Do not use damaged pads and accessories on power tool. Compromised accessories can fail and cause injury.
- d) Disconnect the power tool plug from the power source before making any adjustments, changing accessories, or storing the power tool. Such preventive safety measures reduce the risk of starting the power tool accidentally.
- e) Hold power tool by insulated gripping surfaces when performing an operation where the spinning accessory may contact hidden wiring or its own cord. A spinning accessory contacting an energized wire may make exposed metal parts of the power tool live and shock the operator.
- f) Position the cord clear of the spinning accessory. If you lose control, the cord may be cut or snagged and your hand or arm may be pulled into the spinning accessory.
- g) Never lay the power tool down until the spinning accessory has come to a complete stop. It may grab the surface and pull the power tool out of your control.
- h) Do not run the power tool while carrying it at your side. Accidental contact with the spinning accessory could snag your clothing and pull the accessory into your body.
- i) Do not use the power tool if the switch does not turn it on and off. Any power tool that cannot be controlled with the switch is dangerous and must be repaired.

#### **9. Product Use**

All statements, usage recommendations, and technical information contained in this manual are based on tests or development that we have deemed reliable. However, many factors beyond our control can affect the use and performance of this product in a certain application, including conditions under which the product is used and the time and environmental conditions in which the product is expected to perform. Since these factors are uniquely in the user's knowledge and control, it is critical that the user evaluate the product to determine whether it is suitable for a particular purpose and the user's method of application.

#### **10. Warranty**

Contact your dealer or our Customer Service for more details.

#### **Disclaimer**

Limitation of Liability. In no event shall the monetary liability of company exceed amounts that have actually been paid to company. Company shall not be liable for consequential, indirect, special, or incidental damages under any circumstances, even if advised in advance of the possibility of such damages.

## MAINTENANCE

### 8. Service And Care

**⚠ CAUTION:** Always disconnect tool from power supply prior to maintenance.

- Regularly clean the power tool's air vents. The motor's fan will draw dust and residues inside the housing and excessive accumulated residue may reduce the tool's cooling capacity, shortening tool life. Periodically blow out all air passages with dry compressed air. Wear safety glasses while using compressed air.
- Clean plastic and rubber parts with a soft, damp cloth. NEVER use solvents to clean plastic parts. us Interior Cleaner is an effective solution.
- Check for misalignment or binding of moving parts, breakage of parts, and any other condition that may affect the power tool's operation. If damaged, have the power tool repaired before use. Many accidents are caused by poorly maintained power tools.
- Have your power tool serviced by a qualified repair shop using only identical replacement parts. This will ensure the safety of the power tool is maintained.

### Failure To Start

- Should your tool fail to start, check to make sure the prongs on the cord plug are making good contact within the outlet. Also check for blown fuses or open circuit breakers in the line.
- If power tool persists in not starting, unplug and inspect motor brushes for excessive wear. Replace if necessary.
- Inspect power cord for cuts or shorts. Should excessive wear be identified, contact us for replacement cords and/or service.

### How to replace the carbon brush

- Use the screwdriver unscrew the 4 screws on the machine body separately.
- Open the machine body, you could see the position of the carbon brush.
- Blank off the machine cover, the replacement of carbon brush is done.

### Lubrication

VP101 tool comes pre-lubricated at the backing plate to shroud contact point. This area should be lubricated every 100 hours of operation to ensure smooth operation and a long service life. Apply supplied grease to black shroud (highlighted in yellow at right) then follow backing plate installation instructions noted in section 6.



## 5. Power Tool Specifications

Type	VP101
Orbit	12mm
Power Output (Watts)	600W
Power Output (Amperes)	110-240V~,50/60HZ
Orbits Per Minute (OPM)	2,000-6,000
Cord Length	4m
Weight	2KGS.
Electronic Speed Control	Yes
Variable Speed Trigger	Yes
Factory Installed Backing Plate	3 "

### Secure Backing Plate:

**⚠ CAUTION!** Prior to each use, it is recommended to use supplied Allen wrench to ensure Allen bolt is secure.

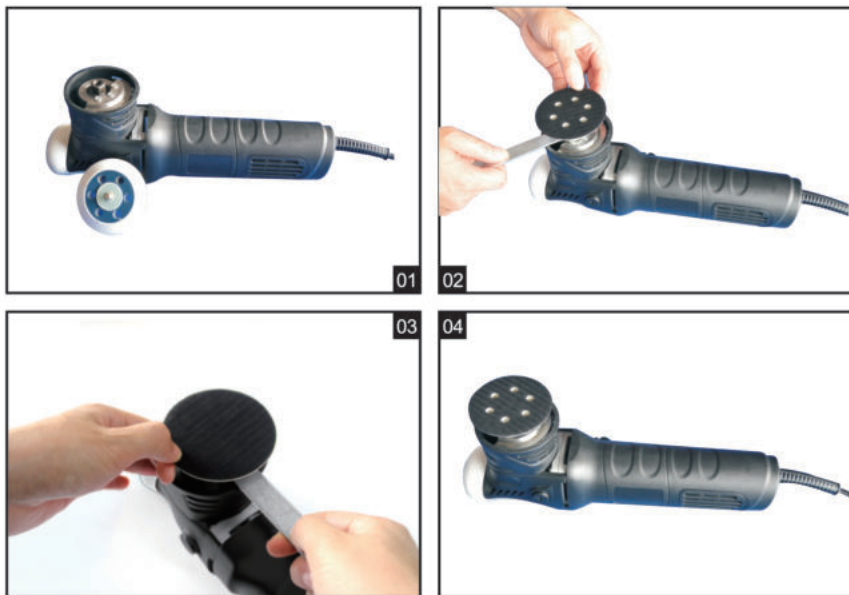
## 6. Power Tool Set-Up



### Installing New Backing Plate

**⚠ CAUTION:** Ensure power tool is unplugged from power source.

- With tool resting on its back, align backing plate hub with tool output shaft.
- Carefully line up the squared edge of the backing plate with the squared edge of the orbital shaft.
- Insert Allen bolt and carefully thread into output shaft. Do not cross-thread!
- Tighten bolt with supplied Allen wrench. With bolt bottomed out, securely tighten with a quarter turn.



### Installing Buffing Pad And Usage Recommendations

- Inspect pad (micro fiber or foam) prior to installation.
- CAUTION:** DO NOT use torn or worn out pads.
- Unplug power tool prior to buffing pad installation.
- Center pad on backing plate and press firmly around pad.
- Never run machine when pad is not resting on the vehicle's surface.
- Frequent cleaning of buffing pad is essential to reduce product build up, which can potentially lead to excessive pad weight and a subsequent increase in vibration.

### Pad Maintenance

- Remove pad from machine and pre-rinse with warm water after each use.
- Spray us Micro Fiber and Foam Pad Cleaner on the entire pad face.
- Gently knead the pad until you create a rich lather. This cleaning action frees the pad of any compound or wax residue.
- Rinse thoroughly with warm water and wring out, or machine wash.
- Allow pad to dry completely before use.

## PROPER USAGE

### 7. Starting And Stopping The Power Tool

**Note:** Prior to application, it is recommend that all plastic and metal trim on vehicle be taped off using Professional Masking Tape for protection from incidental engagement with backing plate and/or pad.

**CAUTION:** Disconnect tool from power source. It is recommended that the supplied Allen key wrench is used to ensure the backing plate Allen bolt is secure prior to each use.

**CAUTION:** Make certain the Variable Trigger Throttle is in the "Off" position and the power source is the same as specified on the tool's nameplate.

- Connect the tool to the power source.
- Select the appropriate speed. The tool's maximum speed is adjusted by turning the Variable Speed Dial. Maximum Speed will be limited to the speed shown on the Variable Speed Dial. When the Variable Trigger Throttle is actuated the sweep of the trigger increases the speed of the machine incrementally from zero to the preset maximum.
- For paint correction, a speed setting of #4 or #5 is recommended. For application of waxes and sealants a speed setting of #2 or #3 is recommend. The #1 setting sets the maximum speed at 2,000 orbits per minute. Setting #6 puts the max speed at 6,000 orbits per minute.
- Hold the power tool in front and away from your body. Be sure the pad is resting on the vehicle surface before starting the power tool.
- Pull the Variable Trigger Throttle to start the motor. The more you pull the trigger the faster the motor will run. Release the Variable Trigger Throttle to stop motor.
- The Trigger Lock Button, located on the left side of the handle, holds the Variable Trigger Throttle in the "On" position when it is depressed while the Variable Trigger Throttle is pulled.
- To release the Trigger Lock Button, pull the Variable Trigger Throttle to its limit and disengage the Trigger Lock Button by pushing it.

**CAUTION:** The tool will continue to rotate briefly after it is turned off.

